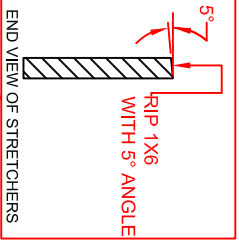
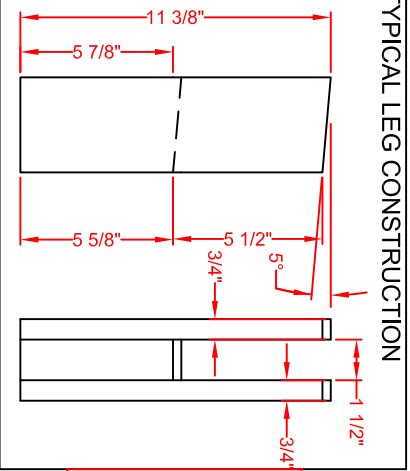


# SIMPLE RAKED STAGE CONSTRUCTION

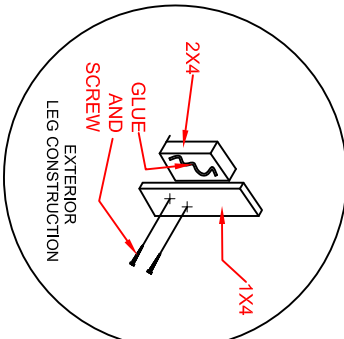
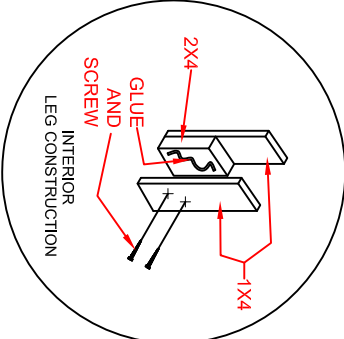
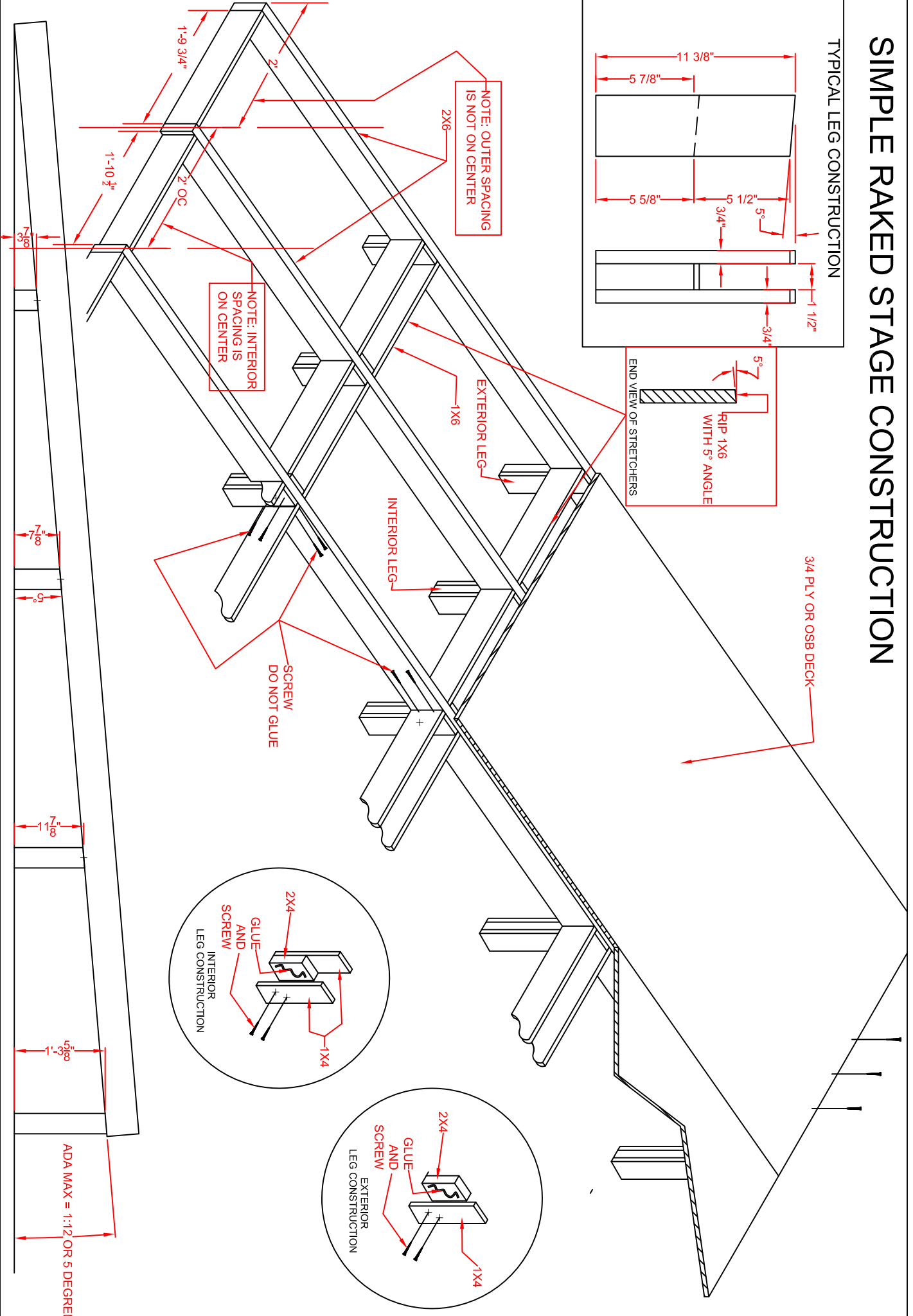
## TYPICAL LEG CONSTRUCTION



3/4 PLY OR OSB DECK

NOTE: OUTER SPACING IS NOT ON CENTER

NOTE: INTERIOR SPACING IS ON CENTER



SCREW DO NOT GLUE

ADA MAX = 1:12 OR 5 DEGREE